

POLYBOND

Moulding Innovation into Global Bonds

Anti-Vibration Mountings





Moulding Innovation into Global Bonds

INTRODUCTION

The right choice of antivibration mountings starts with choosing the right company. There should be a large selection of different types and sizes to choose from, no matter what the application. Knowledgeable personnel should always be available to select and design the right mounts. Lastly, after selection is made, delivery should be expidious and consistant. This catalog will introduce you to the wide range of POLYBOND anti-vibration mounts. We know that one product style cannot possibly satisfy you, thats why we offer so many different styles and sizes of mounts. When our ready selection range does not help you solve your problem, our engineers will design the right mount especially for you. We have the right product for your application. Always

HOW TO SELECT THE RIGHT MOUNT?

A quick & simple way to select the right mount is given below :

1. Divide total weight of equipment by number of mounting points. Resulting figure will indicate load per mounting.
2. Determine lowest disturbing frequency (i.e. the lowest r.p.m. of equipment which causes vibration)
3. From the 'Isolation Table' shown alongside find out the required deflection for your desired isolation level (we recommend 80%)
4. With this data of 'Load per mount' and required deflection, select suitable mount from this catalogue.
5. Please contact our Engineering Department for additional details.

Isolation Table

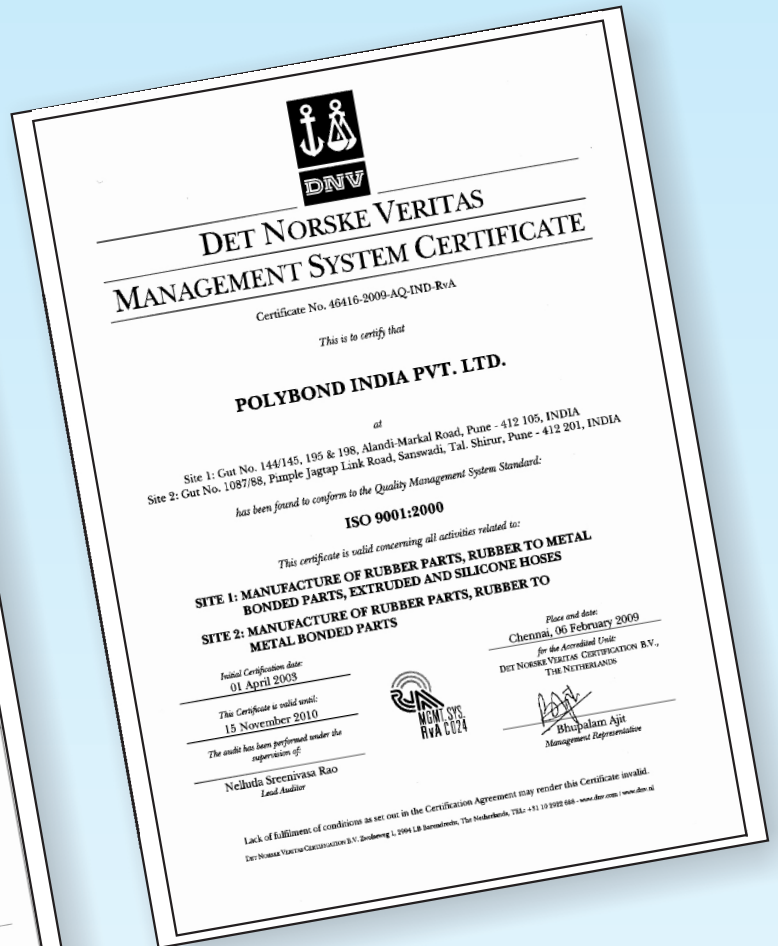
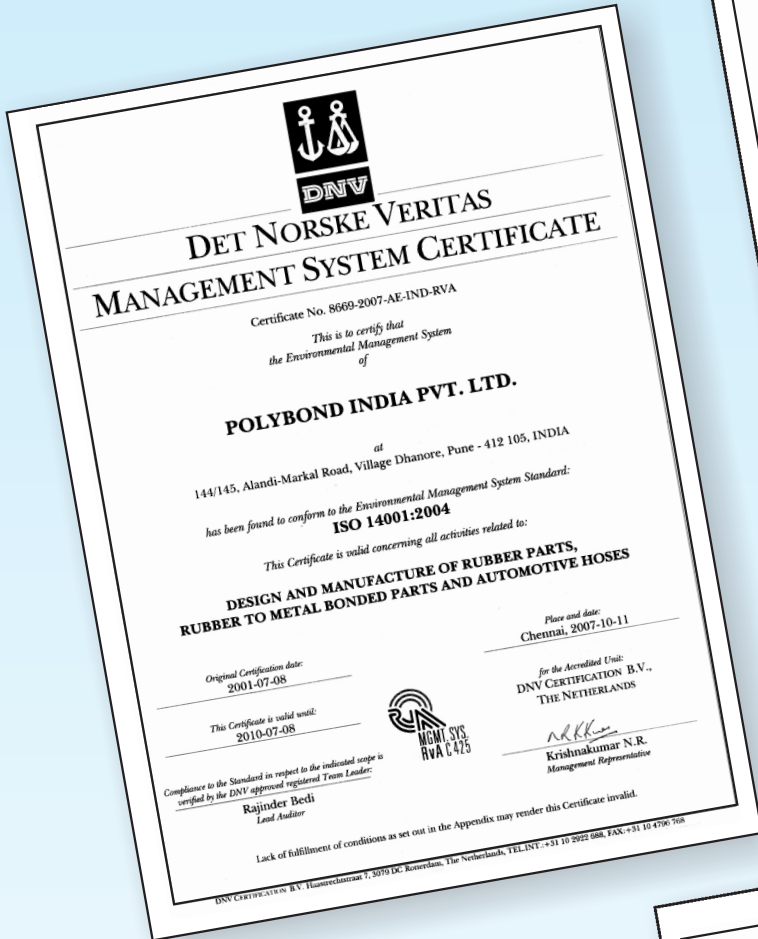
Disturbing Frequency RPM	Deflection in (mm) for		
	50% Isolation	70% Isolation	80% Isolation
300	30.00	43.34	59.97
400	16.90	24.43	33.82
500	10.81	15.60	21.61
600	7.50	10.83	15.00
700	5.52	7.97	11.02
800	4.22	6.10	8.44
900	3.33	4.81	6.66
1000	2.70	3.90	5.40
1050	2.45	3.54	4.90
1100	2.23	3.22	4.46
1150	2.04	2.95	4.08
1200	1.87	2.70	3.74
1250	1.73	2.50	3.46
1300	1.60	2.30	3.19
1350	1.48	2.14	2.96
1400	1.37	1.99	2.75
1450	1.28	1.86	2.57
1500	1.19	1.73	2.40
1550	1.12	1.62	2.24
1600	1.05	1.52	2.10
1650	0.99	1.43	1.98
1700	0.93	1.34	1.86
1750	0.88	1.27	1.76
1800	0.83	1.20	1.66
1850	0.79	1.14	1.57
1900	0.74	1.08	1.49
1950	0.71	1.02	1.42
2000	0.67	0.97	1.34
2200	0.55	0.80	1.11
2400	0.46	0.67	0.93
2600	0.40	0.57	0.80
2800	0.34	0.49	0.68
3000	0.30	0.43	0.60

STIFFNESS IDENTIFICATION METHOD

	INCREASING STIFFNESS				
Designation	A	B	C	D	E
Colour Code	Blue	White	Green	Yellow	Red



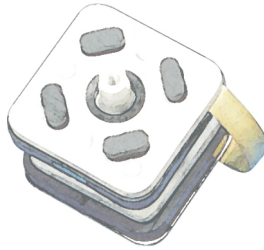
Moulding Innovation into Global Bonds



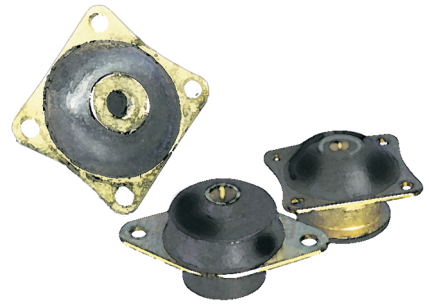
ISO 9001

ISO 14001

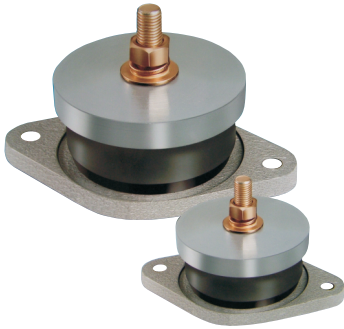
TS 16949



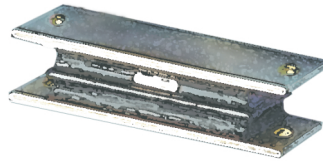
LF Mounts



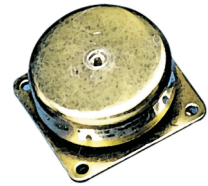
Core Mounts



PFS



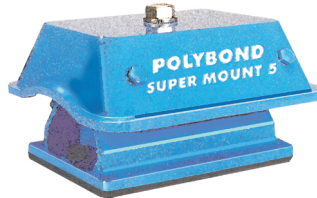
Sandwich Mounts



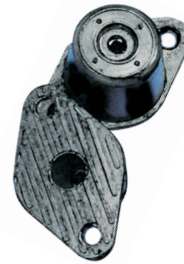
Shock Mounts



PML



Combimount PS



P Mounts

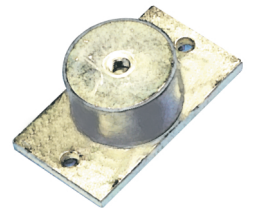
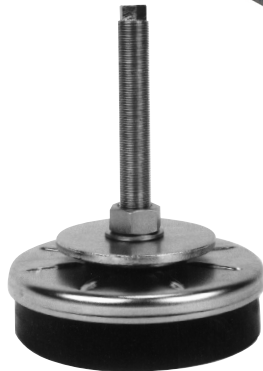


Plate Mounts



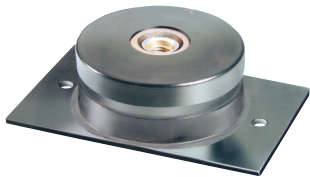
Machinery Mounts



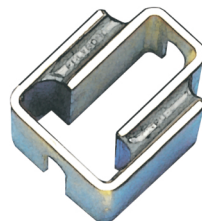
PMF Mounts



Machinery Pads



PGS



PU Mounts



Combimount PCS



PDM



ISO 9001

ISO 14001

TS 16949

Polybond India Pvt Ltd

Rathi Chambers, 7, Deccan College Road, Pune 411 006, INDIA

Tel : +91-20-30517201 Fax : +91-20-30517212

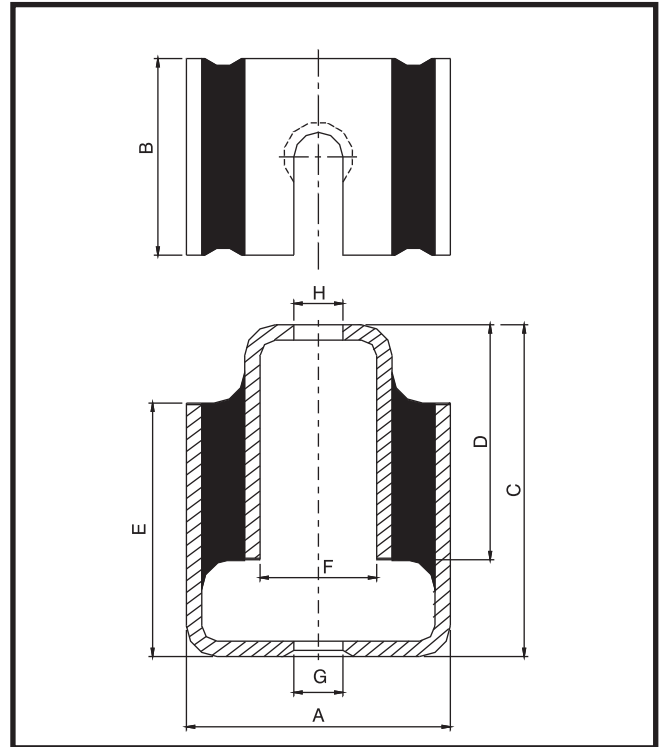
www.polybondindia.com mkt.polybond@rathigroup.com



DOUBLE U SHEAR MOUNTS



Double 'U' shear mounts feature a soft, vertical spring rate. These mounts are capable of dampening shock and vibrations in the vertical as well as lateral direction. The design incorporates built-in protection against metal-to-metal bottoming.

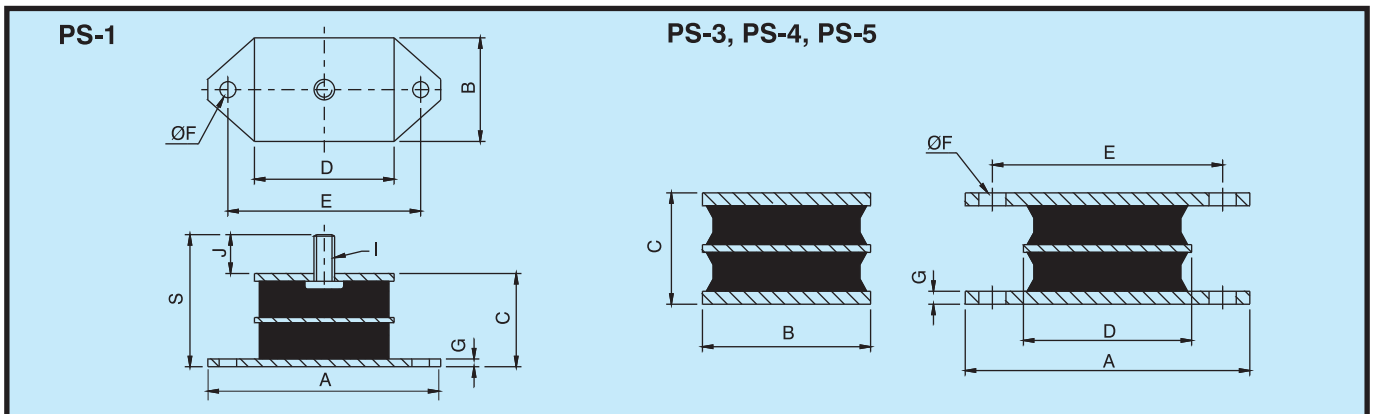


PART NO.	DIMENSIONS (mm)								MAX. LOAD IN COMP. (kg)	DEFL (mm)
	A	B	C	D	E	F	G	H		
PU-1A	60	50	42	19	30	17	Ø 10 Holes		19	3
PU -1B									28	3
PU -1C									52	3
PU -2A	70	25	62	37	43	25	10 SLOT		17	8
PU -2B									25	7
PU -2C									28	4.5
PU -3A	80	50	78	50	55	30	13 SLOT		72	8
PU -3B									92	7
PU -3C									95	4.5
PU -4A	86	64	108	76	82	38	16 SLOT		152	8
PU -4B									170	6
PU -4C									205	4
PU-5C	100	80	130	90	100	48	18 SLOT		250	3.5

SANDWICH MOUNTS



SANDWICH mounts are designed to support heavy or sensitive equipment and isolate intermittent or continuous vibrations. These mounts can be loaded by compression, by shear or by combination of the two. The easy-to-install SANDWICH mounts result in longer service life, smoother operation and reduced maintenance.



PART NO	DIMENSIONS (mm)										MAX. LOAD IN COMPRESSION (kg)	STATIC DEFL (mm)
	A	B	C	D	E	ØF	G	S	I	J		
PS - 1A											95	2.8
PS - 1B											135	2.8
PS - 1C	90	40	36	54	74.5	6.75	3.5	51	M8	15	200	2.8
PS - 1D											310	2.8
PS - 1E											350	2.4

PART NO	DIMENSIONS (mm)							MAX. LOAD IN COMPRESSION (kg)	STATIC DEFL (mm)
	A	B	C	D	E	ØF	G		
PS - 3A								140	3.0
PS - 3B	110	60	43	65	89	10.3	5.0	240	3.0
PS - 3C								375	3.0
PS - 5A								400	3.0
PS - 5B								610	3.0
PS - 5C	170	60	43	125	146	10.3	5.0	850	2.8
PS - 5D								1000	2.2
PS - 5E								1900	2.0

P MOUNTS

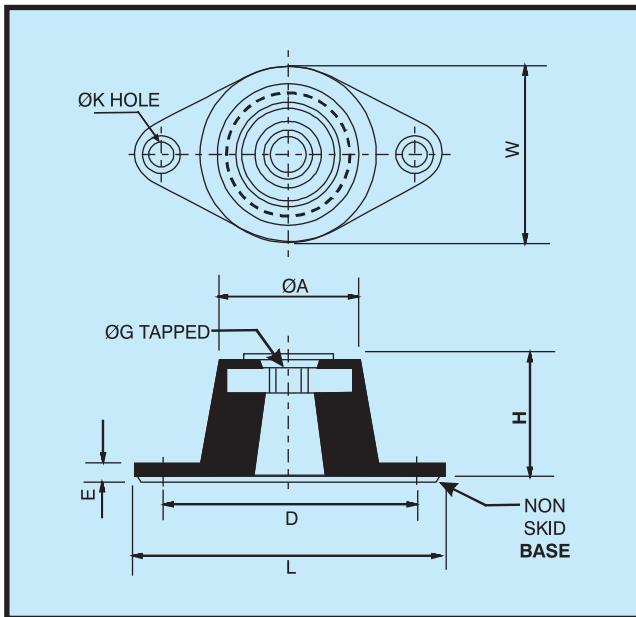


APPLICATION

- For effective isolation of noise and vibration from rotating equipment with speeds of 1000 RPM and above.
- Typically used to isolate fans, pumps, generators, air-conditioning units and general machinery.

FEATURES

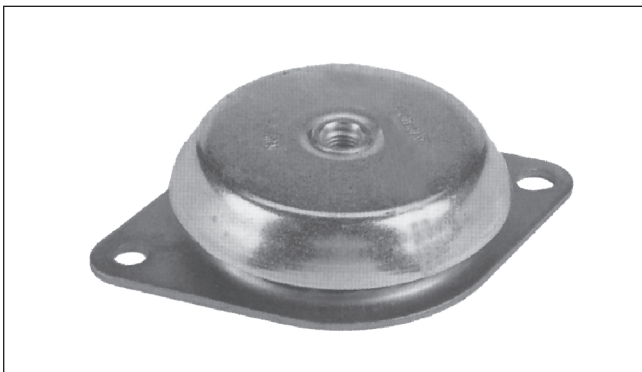
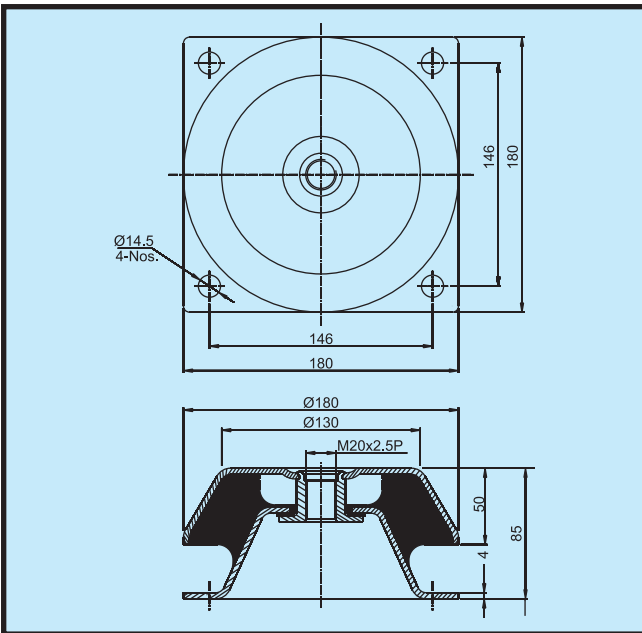
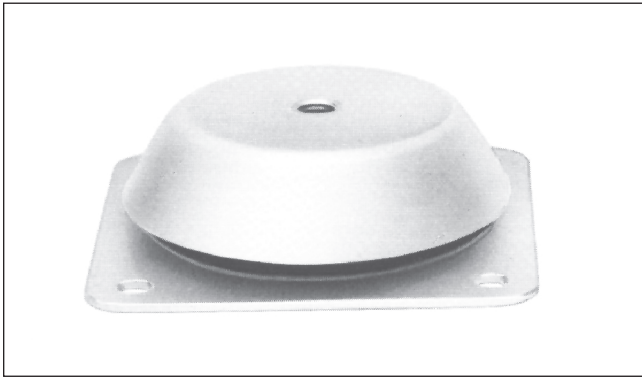
- Static deflection ranges from 5 to 12 mm.
- Colour coded load range.
- Threaded top.
- Non-skid ribbed base.



TYPE	DIMENSIONS (mm)							
	H	L	W	D	ØA	ØG	ØK	E
P-1	28	80	45	60	32	M8	8.5	5
P-2	32	98	60	76	45	M10	8.5	6
P-3	44	140	85	104	64	M12	14	6
P-4	45	165	110	127	100	M12	14	6
PD-1	35	80	45	60	32	M8	8.5	5
PD-2	44	98	60	76	45	M10	8.5	6
PD-3	72	140	85	104	64	M12	14	6
PD-4	75	165	110	127	100	M12	14	6

PART NO.	COLOUR CODE	MAX LOAD (kg)	STATIC DEFL. (mm)
P-1A	BLUE	15	5
P-1B	WHITE	25	
P-1C	GREEN	40	
P-1D	YELLOW	60	
P-1E	RED	80	
PD-1A	BLUE	15	8
PD-1B	WHITE	25	
PD-1C	GREEN	40	
PD-1D	YELLOW	60	
PD-1E	RED	80	
P-2A	BLUE	70	6
P-2B	WHITE	100	
P-2C	GREEN	175	
P-2D	YELLOW	250	
PD-2A	BLUE	70	10
PD-2B	WHITE	100	
PD-2C	GREEN	175	
PD-2D	YELLOW	250	
P-3B	WHITE	145	6
P-3C	GREEN	240	
P-3D	YELLOW	340	
P-3E	RED	500	
PD-3B	WHITE	145	12
PD-3C	GREEN	240	
PD-3D	YELLOW	340	
PD-3E	RED	500	
P-4B	WHITE	680	6
P-4C	GREEN	1020	
P-4D	YELLOW	1360	
P-4E	RED	1800	
PD-4B	WHITE	680	12
PD-4C	GREEN	1020	
PD-4D	YELLOW	1360	
PD-4E	RED	1800	

PAM MOUNTS

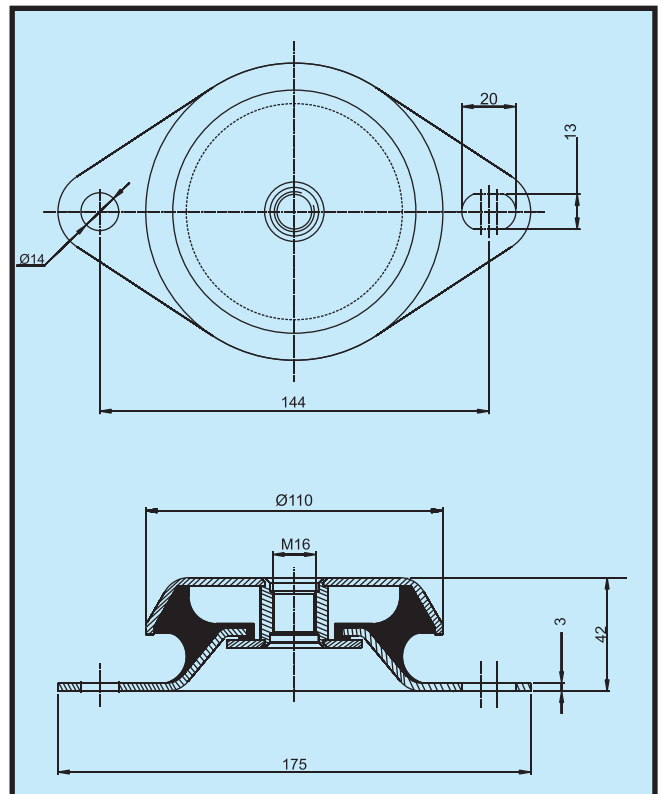


Polybond PAM has integral failsafe design. Rubber Profile is used effectively in compression and shear simultaneously. Metal parts zinc plated for high corrosion resistance. Typical applications are

- Compressors
- Diesel Engine
- AC Units
- Industrial & Marine Gen Sets
- Industrial Fans
- Generators

PART NO.	MAX. LOAD (IN Kg)	DEFLECTION AT MAX. LOAD (in mm)
PAM-5A	900	13.0
PAM-5B	1700	13.0

ALL DIMENSIONS IN mm.



PART NO.	MAX. LOAD (IN Kg)	DEFLECTION AT MAX. LOAD (in mm)
PAM-3A	205	6.0
PAM-3B	410	6.0

ALL DIMENSIONS IN mm.

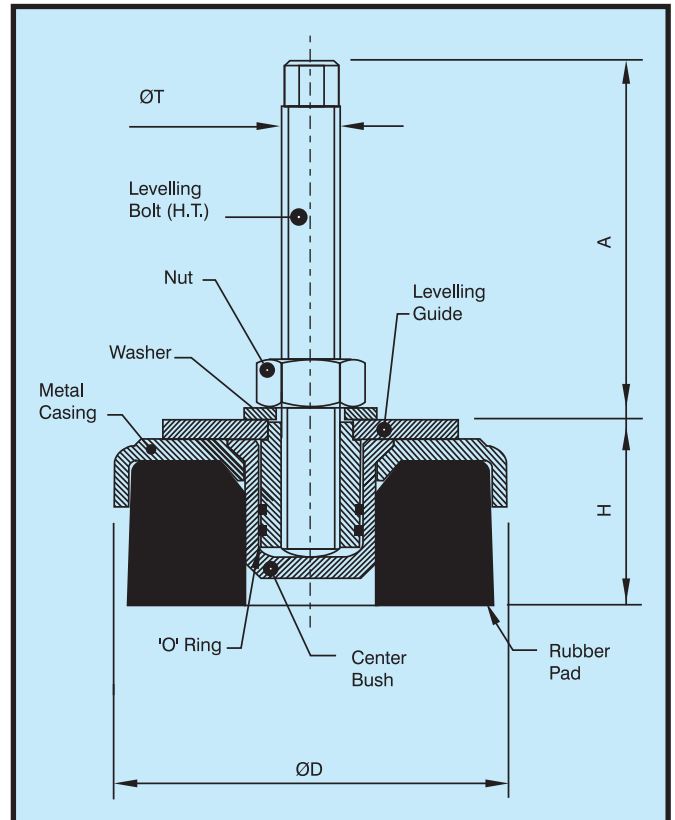
MACHINE MOUNT TYPE PSN



POLYBOND MACHINE MOUNTS are especially suited for mounting workshop machinery without being anchored to the ground. These ready-to-install mounts allow immediate commissioning, eliminating the need for foundations or grouting. The height adjustment feature allows precise levelling of machinery. POLYBOND MACHINE MOUNTS will provide excellent mobility of machinery layout in your workshop. These mounts will insulate high frequency vibrations and sound, and prevent wandering of machinery due to the large contact area.

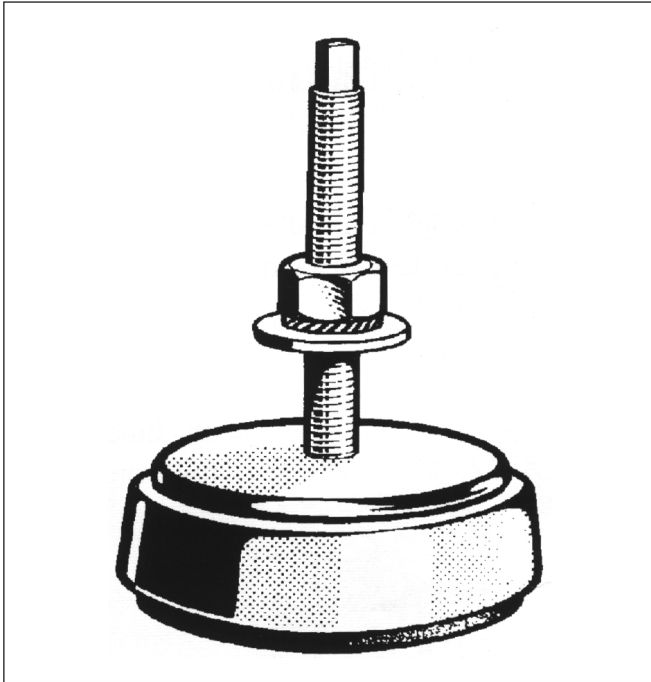
ADVANTAGES OF MACHINE MOUNT

- No Foundation required, avoids expensive grouting
- Built-in levelling arrangement
- Quick installation of machinery
- Safeguards installed equipment from surroundings shocks & impacts
- Also absorbs shocks of installed equipment
- Re-arrangement of shop-Floor layout is now easy
- Keeps the machine in position firmly



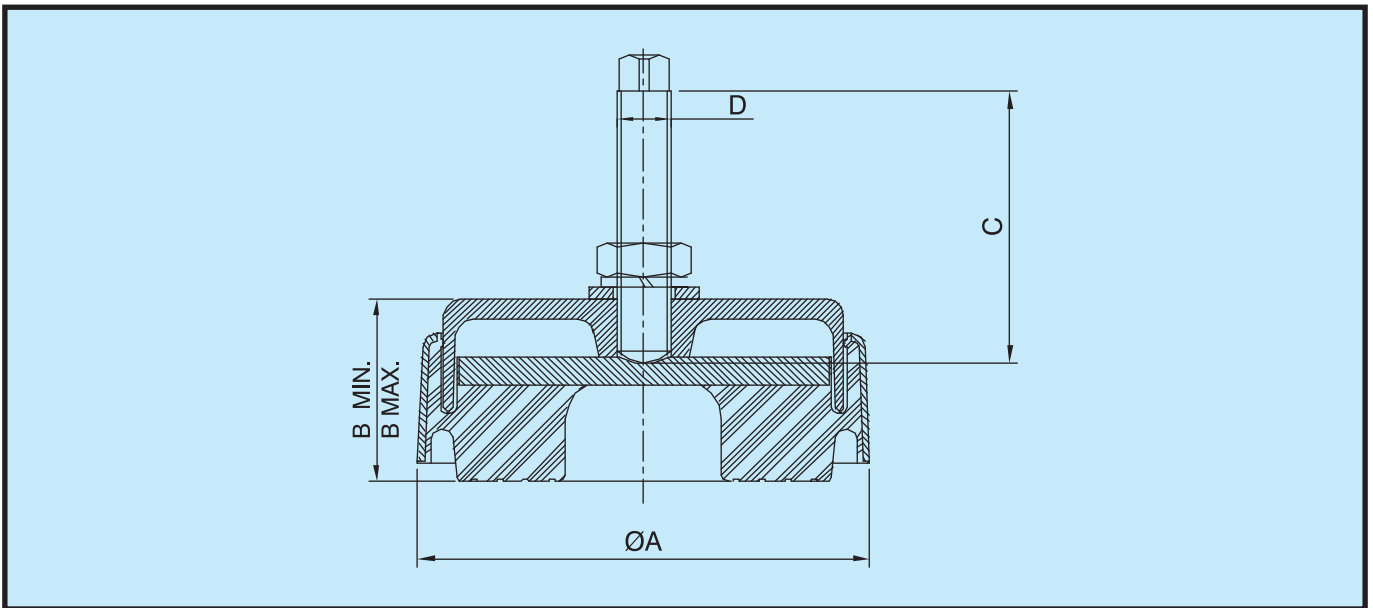
Machine Mounts	PSN-1	PSN-2	PSN-3	PSN-4
Ø D	80 mm	120 mm	160 mm	200 mm
H	38-50 mm	46-59 mm	53-68 mm	63-78 mm
A	87 mm	79 mm	122 mm	122 mm
Ø T	M12x1.25	M16x1.5	M20x1.5	M20x1.5
Optional	–	M12x1.25	M16x1.5	M16x1.5
Load Range	50-500 Kgs	200-1100 Kgs	800-2100 Kgs	1500-4000 Kgs

MACHINE MOUNT TYPE PM



ADVANTAGES OF MACHINE MOUNT

- No Foundation required, avoids expensive grouting
- Built-in levelling arrangement
- Quick installation of machinery
- Safeguards installed equipment from surrounding shocks & impacts
- Re-arrangement of shop-Floor layout is now easy
- Keeps the machine in position firmly
- Useful for machine tool, injection moulding, machine, rubber mixing mill, SPM etc.

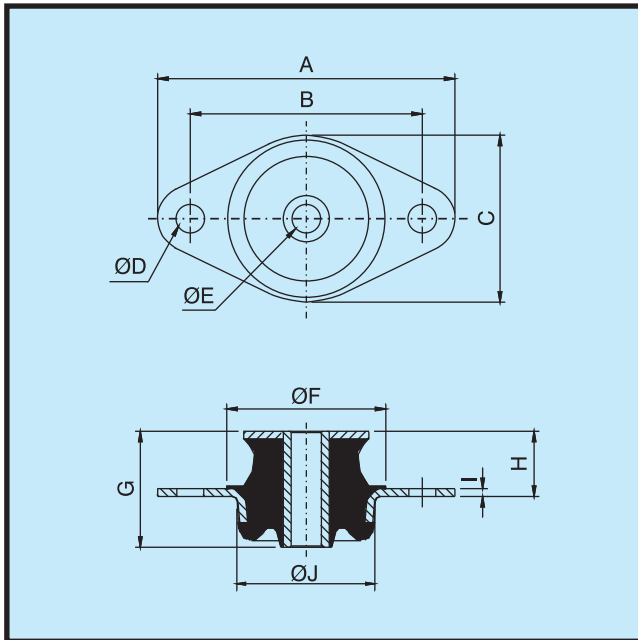


PART NO.	A	B		C	D	NOMINAL LOAD (Kg)	MAX. DEFLn	LOAD (Kg)
		MIN.	MAX.					
PM-1000	133	54	74	160	M16	1000	2	1000±300
PM-2500	195	66	86	180	M20	2500	2	2500±1000

CORE MOUNTS



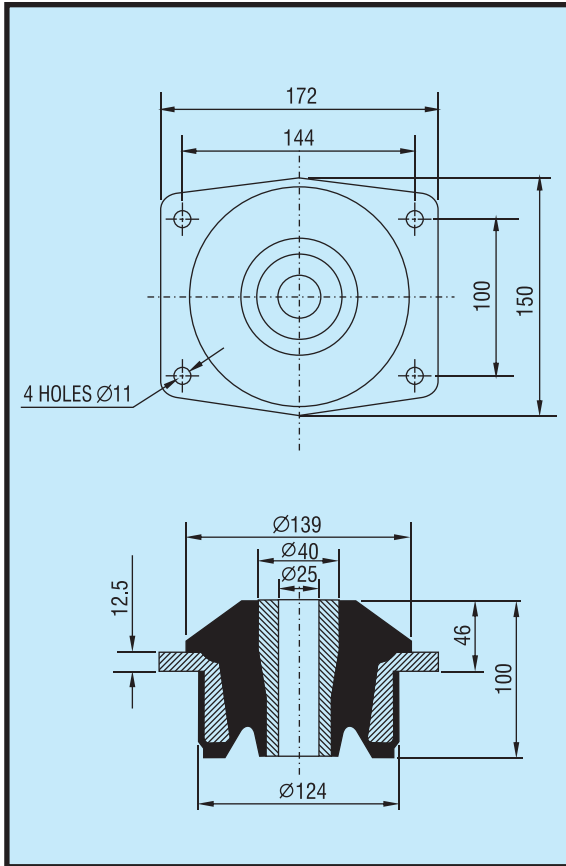
POLYBOND Core mounts are designed so that the rubber works in both, shear, and compression. These mounts will work in most severe shock conditions when used with snubbing washers. The low profile, failsafe core mounts are used for a number of applications.



PART NO.	MAX LOAD AXIAL (kg)	DEFLECTION (mm)	
PSC1	A	91	4.6
	B	114	4.6
	C	159	4.8
	D	182	4.6
	E	227	4.8
PSC2	A	364	5.1
	B	364	4.6
	C	455	4.6
	D	545	4.6
	E	636	4.6

PART NO.	DIMENSIONS (mm)									
	A	B	C	ØD	ØE	ØF	G	H	I	ØJ
PSC1	114	89	64	10.3	11.6	48	45	25	3	53
PSC2	133.3	108	82.5	10.3	17.5	70	57	30	3	57

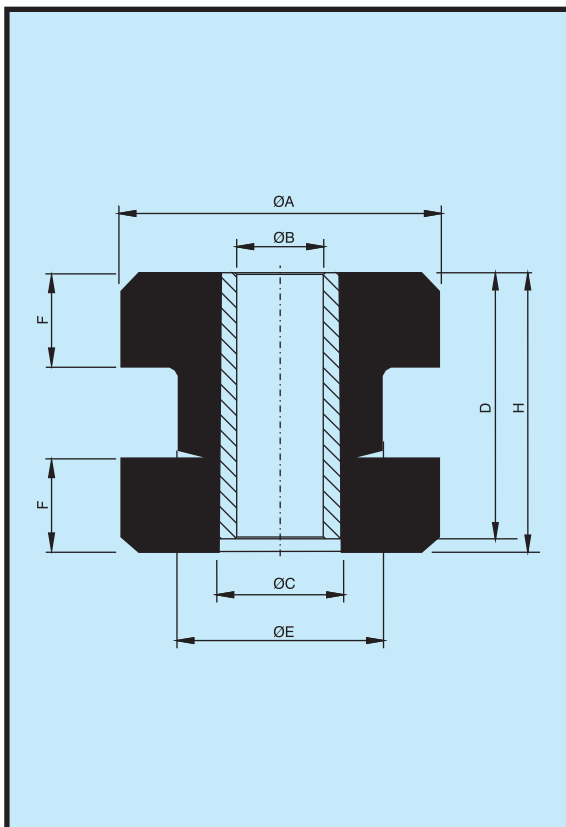
CORE MOUNT P-550



ALL DIMENSIONS IN mm.

- Rugged construction
- Fail-safe when used with overload and rebound washers
- Capable of withstanding high degree of shocks and vibrations
- High strength flange with cast steel material
- Useful for extremely low disturbing frequency (as low as 600 rpm)

PART NO.	AXIAL LOAD (kg)	DEFLECTION (mm)
P-550	1000	12



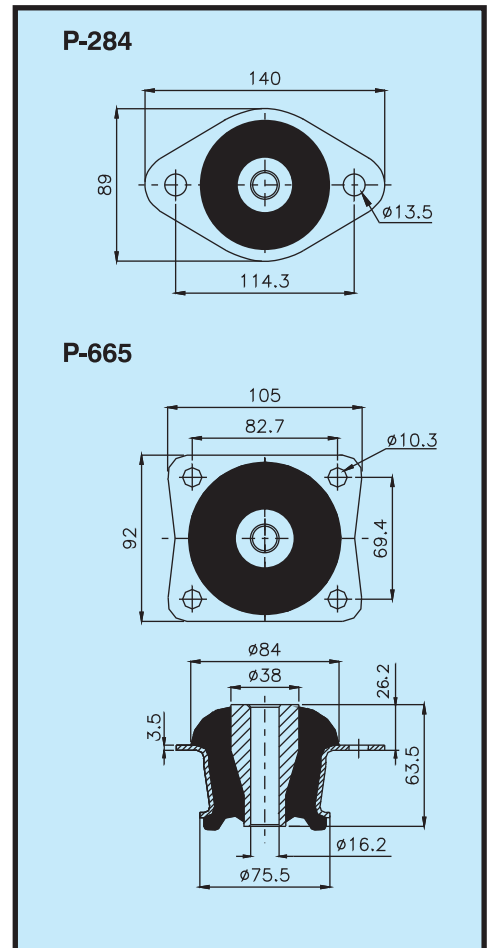
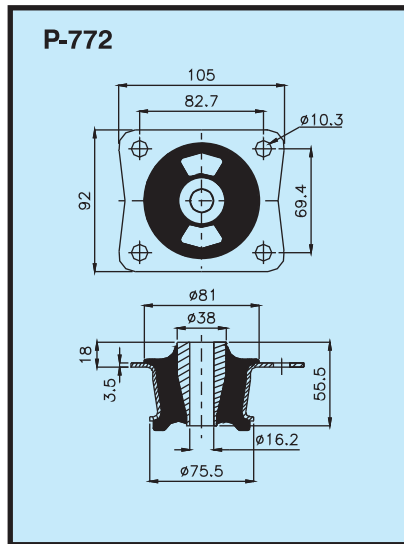
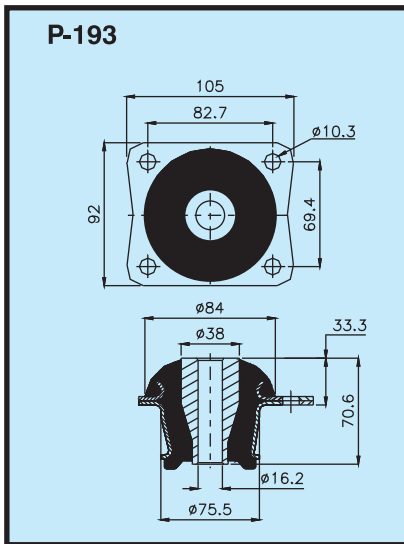
DUAL COMPRESSION MOUNTS TYPE PH

PART NO.	AXIAL LOAD (Kg)	RADIAL LOAD (Kg)	DEFLN. IN mm	DIMENSIONS (mm)							
				ØA	ØB	ØC	D	ØE	F	H	
PH-1	A	18	8	1.3	33.3	10.3	15	31.8	20.1	12.3	34.0
	B	41	19	1.3							
	C	64	30	1.3							
	D	113	53	1.3							
	E	136	63	1.3							
PH-4	A	122	61	2.5	89	23.8	35	73.4	57	26	77.5
	B	321	104	2.5							
	C	350	156	2.5							
	D	531	266	2.5							
	E	954	443	2.5							

CORE MOUNTS



These core mounts when used with the right washers, provide a "fail-safe" feature, essential for many severe applications. Due to the high deflections possible these mounts provide good isolation and are extremely popular in mobile applications.



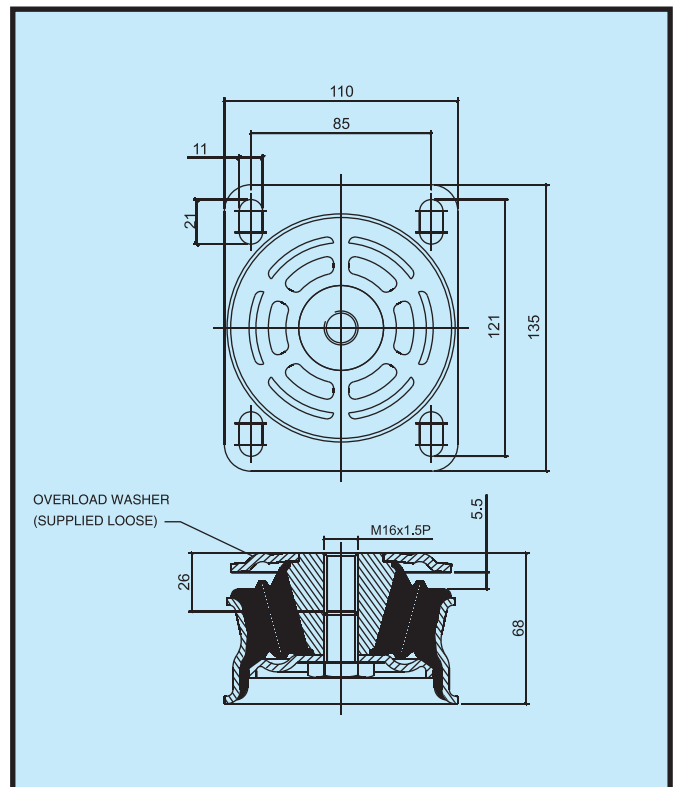
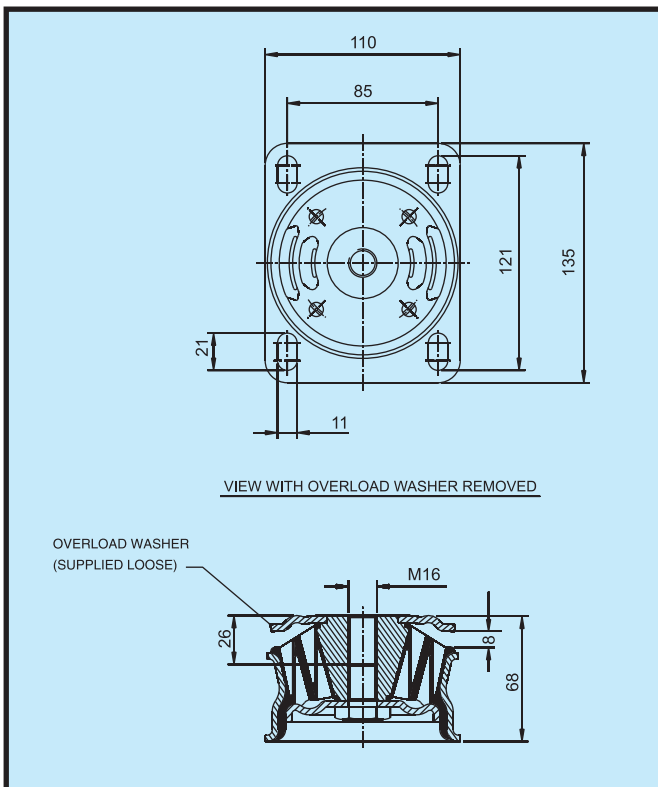
ALL DIMENSIONS IN mm.

PART NO.		LOAD (kg)	DEFLECTION (mm)
P-284	A	200	6.5
	B	350	5.4
	C	500	5.3
P-665	A	200	6.5
	B	350	5.4
	C	500	5.3
P-772	A	120	6.8
	B	200	5.5
	C	250	4.7

CORE MOUNT TYPE PML



- Fail-safe design suitable for both stationary and mobile applications
- Limited flexibility in horizontal direction
- Built-in rebound washer
- Easy to install
- Available with oil resistant cap (optional)
- Ideal for applications like compressors, diesel engines, generating sets etc



PART NO.	AXIAL LOAD (kg)	DEFLECTION (mm)
PML-1A	123	3.6
PML-1B	173	3.6
PML-1C	255	3.6
PML-1D	306	3.6

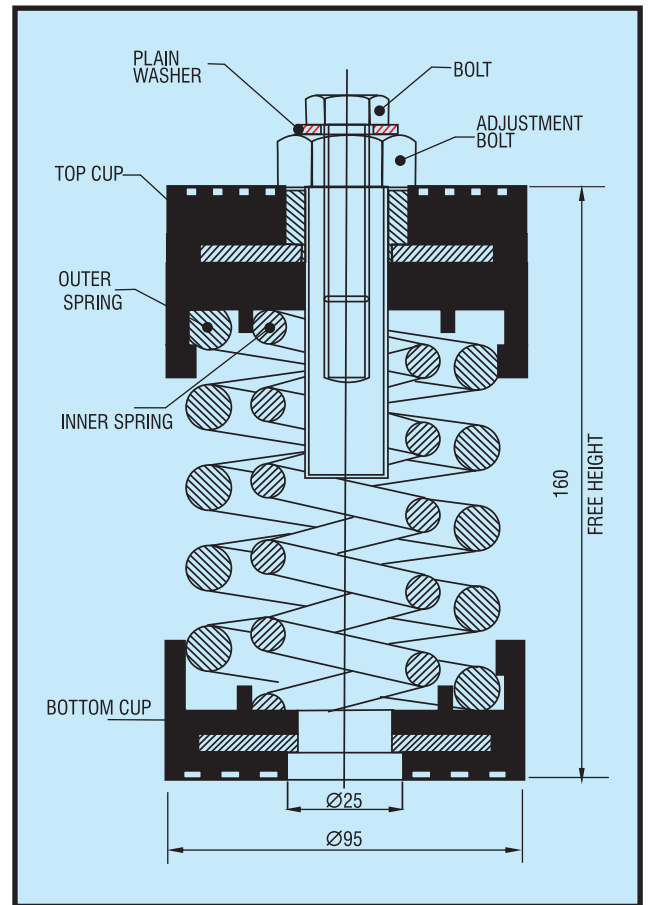
PART NO.	AXIAL LOAD (kg)	DEFLECTION (mm)
PML-2A	153	3.4
PML-2B	224	3.4
PML-2C	326	3.4
PML-2D	428	3.4

ALL DIMENSIONS IN mm.

SPRING MOUNT TYPE PSD



These open spring type of mounts are simple in construction. All components are loosely assembled. Coaxial springs are useful for greater load carrying within compact space. Top & bottom serrated a cushioning rubber caps are useful in noise control. Ideal for smooth rotating equipment in HVAC Sector, like air handling units, chillers and blowers. The high deflection (20 mm) capacity is useful for tackling low frequency vibrations.



PART NO.	SPRING COLOUR		LOAD IN KG (± 15%)	DEFLN. IN MM
	INNER SPRING	OUTER SPRING		
PSD4	YELLOW	GREEN	460	23
PSD6	GREEN	GREEN	640	20
PSD8	GRAY	YELLOW	800	20
PSD9	GREEN	GRAY	910	20

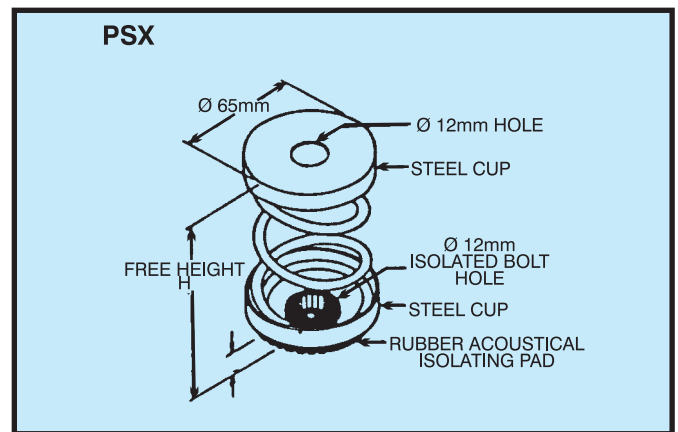
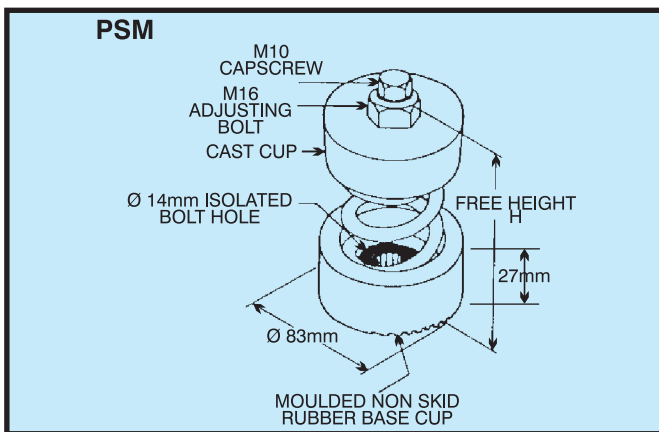
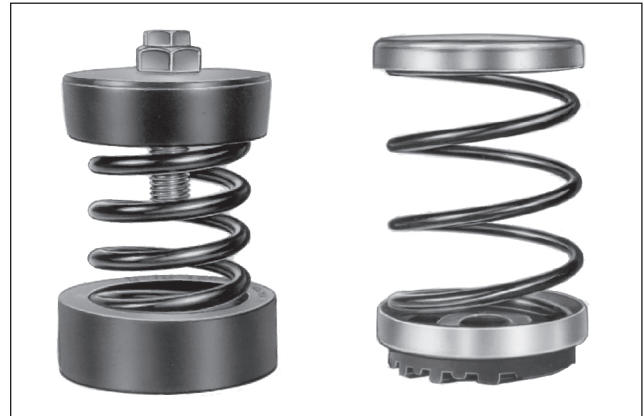
SPRING MOUNTINGS PSM & PSX

APPLICATION

- Where an inexpensive spring hanger element is required for effective vibration isolation.
- Typically used to support fans, pumps, compressors and packaged air-conditioners.

FEATURES

- Colour coded springs for visual identification of load range.
- Heavy duty stable steel spring.
- Bolt hole in base rubber isolated.
- Bonded acoustic rubber pad on base, type (PSX)
- Spring located by moulded rubber cup. type (PSM)
- Built in leveling bolt and locking cap screw supplied with type PSM
- Fully weatherproofed.

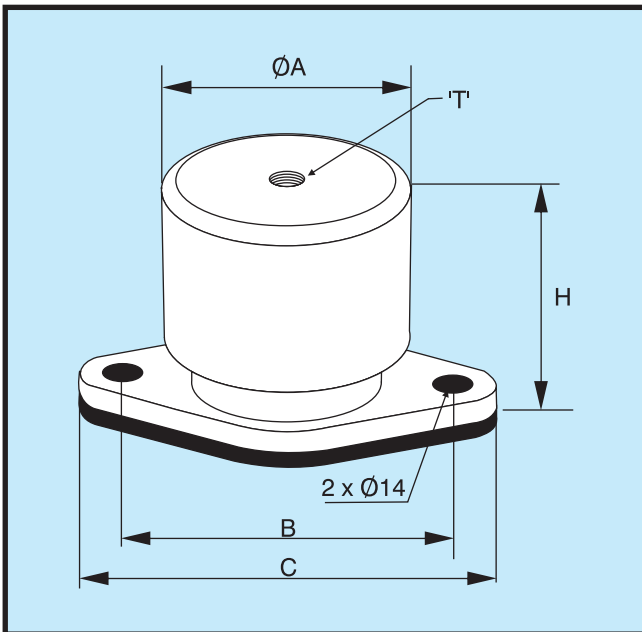


TYPE		MAX LOAD (kg)	STATIC DEFLECTION (mm)	SPRING CONST. (kg/mm)	SPRING COLOUR CODE		H (mm)
					SPRING	STRIPE	
PSM	89	10	40	0.25	WHITE	-	122
	90	20	38	0.53	DARK GREY	-	122
	91	35	35	1.0	DARK GREY	WHITE	122
	92	50	33	1.5	YELLOW	-	122
	93	100	33	3.0	BROWN	-	122
	94	150	30	5.0	BLUE	-	122
	95	200	30	6.7	BLACK	-	122
	96	250	28	8.9	RED	-	127
	97	300	28	10.7	GREEN	-	127
	98	400	25	16.0	GREY	-	127
	99	550	23	23.9	ORANGE	-	133
100	650	20	32.5	ORANGE	BLACK	133	
PSX	9	10	33	0.30	YELLOW	-	81
	10	15	33	0.45	BROWN	-	81
	11	30	33	0.9	BLUE	-	81
	12	50	28	1.8	BLACK	-	81
	13	75	25	3.0	RED	-	81
	14	125	25	5.0	GREEN	-	81
	16	175	20	8.8	GREY	-	81
17	200	15	13.3	ORANGE	-	81	

DYNA MOUNT



Polybond DYNAMOUNT series of spring mounts are high-deflection mounts of special construction. Unlike regular spring mounts, DYNAMOUNT series incorporate a special damping feature to ensure that resonance amplification during engine start-up and shut-down is minimized.



The DynaMount Advantage

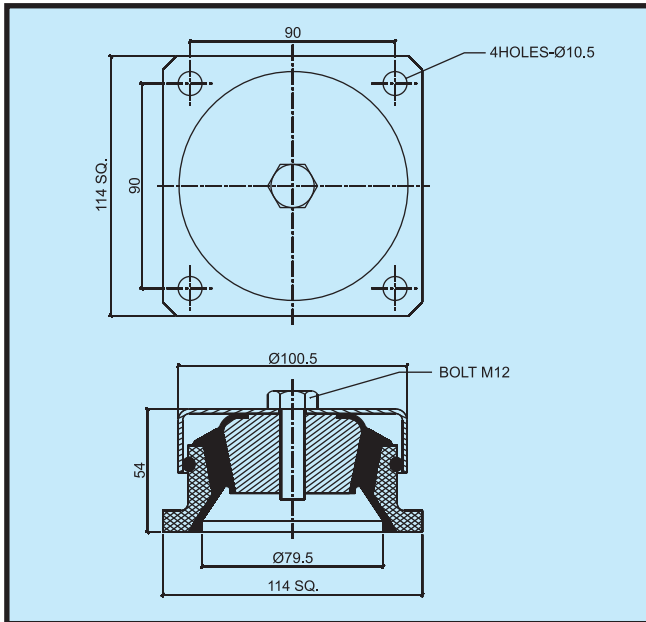
- Anti-Corrosion All Aluminium Body totally encloses all internal elements
- Fail-safe construction
- Direction-free installation
- High Damping Design (critical damping minimum 15%)
- Horizontal Snubbing Design restricts lateral movement, stability without affecting isolation efficiency
- Superior interlocking arrangement between top and base

TYPE	MAX LOAD (Kg)	MAX. DEFLn (mm)	DIM A (mm)	DIM B (mm)	DIM C (mm)	SPRING RATE (APPROX) (Kg/mm)	HEIGHT (PRELOADED) H Pr (mm)	HEIGHT AT MAX LOAD H L (mm)
PDM-50	50	16	85	115	145	3.13	93	80
PDM-80	80	16	85	115	145	5.0	93	80
PDM-125	125	16	85	115	145	7.8	93	80
PDM-200	200	16	85	115	145	12.5	93	80
PDM-315	315	16	85	115	145	19.7	93	80
PDM-400	400	28	115.6	144	174	14.3	129	103
PDM-600	600	19	115.6	144	174	31.6	133	117
PDM-800	800	16	115.6	144	174	50.0	123	110
PDM-1000	1000	15	115.6	144	174	66.7	131	117
PDM-1500	1500	16	115.6	144	174	93.75	134	119

DOMES MOUNTS

TYPE PTE / PTC

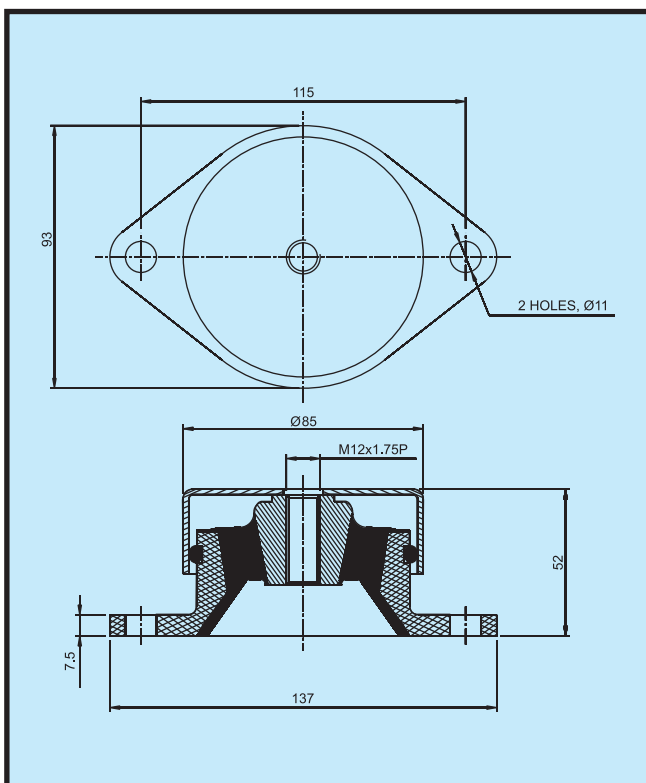
These are compact Shock mounts, designed to work in most severe conditions. The top cup and "O" ring protect the elastomer from surrounding environment. The aluminium base casting is sturdy and light weight. The mount ensures single degree working of the installed equipment.



ALL DIMENSIONS IN mm.

PART NO.	LOAD IN (kg)	STATIC DEFLECTION (mm)	COLOUR CODE
PTE	185	3.0	GREEN
PTC	400	3.0	RED

TYPE PSB - 84



ALL DIMENSIONS IN mm.

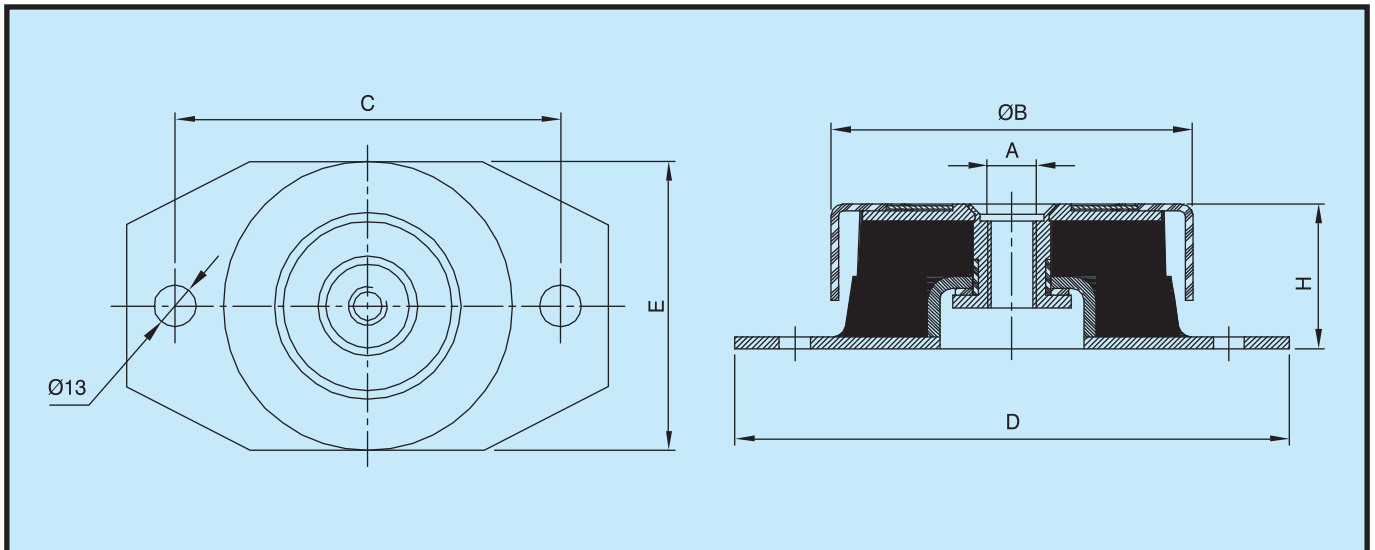
PART NO.	TYPE	LOAD IN (kg)	DEFLN IN(mm)	COLOUR CODE
PSB-84	A	80	4.0	BLUE
	B	130	4.0	WHITE
	C	175	3.0	GREEN

GEN-SAFE MOUNT TYPE PGS



SALIENT FEATURES :

- Fail Safe Design
- Built-in Protection in case Gen Set is lifted
- No Bolted Joints
- Specially engineered Rubber
- Wide Load Range - covered by
- 4 Sizes (25 Kg to 2800 Kg)
- Unidirectional Properties
- Skin fit top-cap for PGS-0



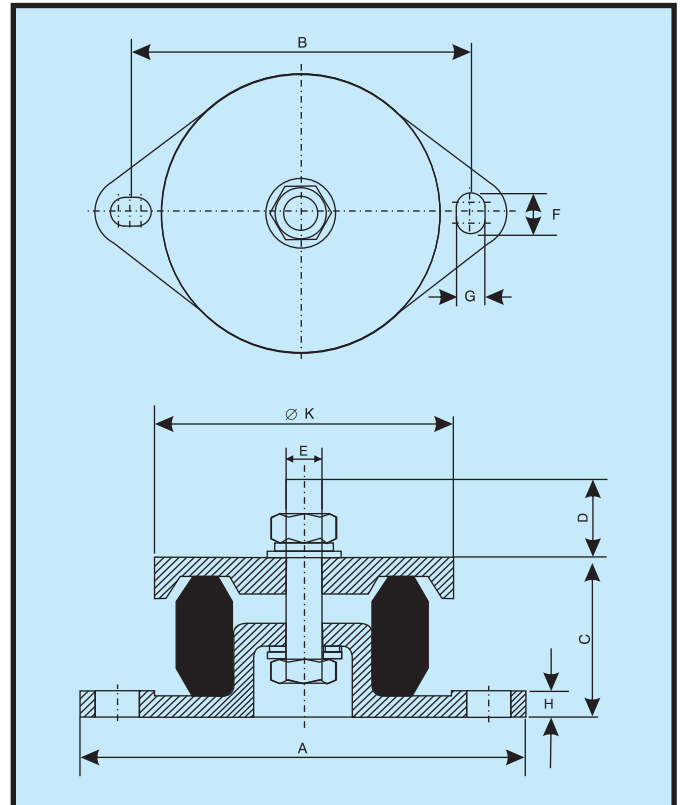
PART NO.	TYPE	LOAD in (Kg)	DEFLN. IN mm	DIMENSIONS (mm)					
				A	B	C	D	E	H
PGS-0	A	45	5	M10	54.5	76	94	70	50
	B	60	5						
	C	75	5						
	D	100	5						
PGS-1	A	100	5	M12/ M16	77	120	150	90	60
	B	200	5						
	C	360	5						
	D	450	5						
PGS-2	A	400	5	M16	98	180	230	110	60
	B	600	5						
	C	840	5						
	D	1080	5						
PGS-3	A	1000	5	M20	138	180	230	150	60
	B	1600	5						
	C	2200	5						
	D	2800	5						

FAIL SAFE MOUNT



SALIENT FEATURES :

- Fail Safe Design
- Built - in protection when the equipment is lifted
- Rugged Construction



SIZE	TYPE	COLOUR CODE	MAX LOAD IN KGS.	DEFL IN MM
PFS - 1	A	BLUE	50	3.0
	B	WHITE	85	3.0
	C	GREEN	120	3.0
PFS - 2	A	BLUE	150	3.0
	B	WHITE	225	3.0
	C	GREEN	300	3.0
PFS - 3	A	BLUE	420	3.0
	B	WHITE	525	3.0
	C	GREEN	650	3.0
PFS - 4	A	BLUE	700	3.0
	B	WHITE	950	3.0
	C	GREEN	1200	3.0
PFS - 5	A	BLUE	1400	3.0
	B	WHITE	1700	3.0
	C	GREEN	2000	3.0

TYPE PFS

SIZE	DIMENSION (in mm)							
	A	B	C	D	E	FXG	H	ØK
PFS - 1	100	78	32	18	M 8	13 X 8.5	6	57
PFS - 2	125	100	43	40	M12	15 X 10.5	8	84
PFS - 3	190	160	65	40	M 16	18 X 12.5	12	120
PFS - 4	240	200	85	42	M 20	24 X 16.5	14	160
PFS - 5	320	270	118	40	M 24	30 X 20.5	20	214

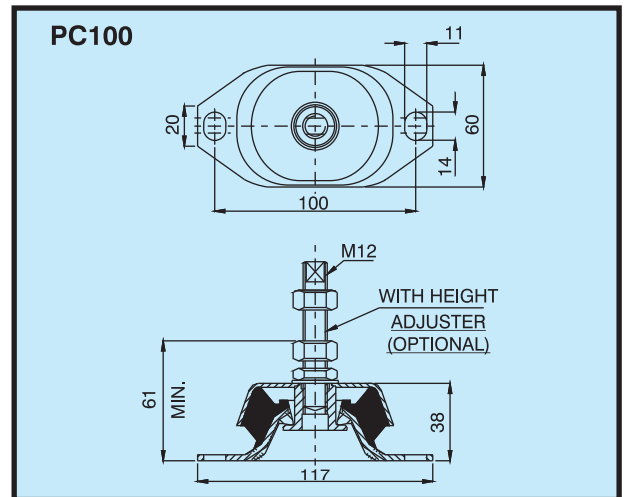
TYPE PR

SIZE	LOAD IN Kg (MAX)	DEFL (mm)	DIMENSION (in mm)						
			A	B	C	D	E	ØF / ØG	ØK
PR - 150A	500	5.0	142	115	40	40	M12	Ø13.5	Ø76
PR - 150B	300	5.0	142	115	40	40	M12	Ø13.5	Ø76
PR - 200	700	5.0	172	144	43	40	M12	Ø13.0	Ø84
PR - 200	264	5.0	125	100	43	40	M12	Ø11.0	Ø84
PR - 400	720	7.0	190	150	72	54	M16	Ø13.0	Ø120

COMBI MOUNTS TYPE PC

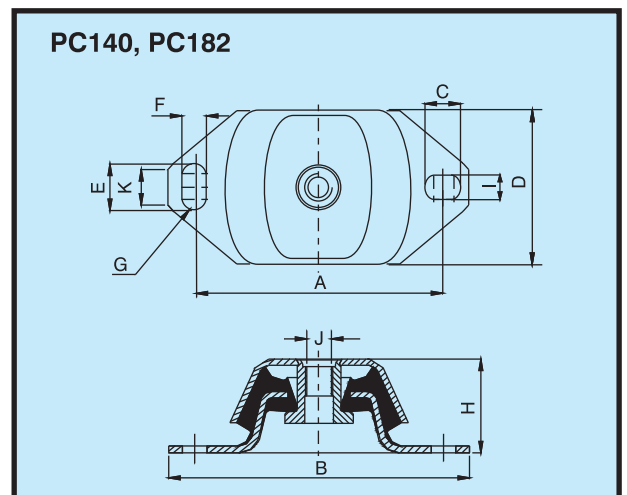


POLYBOND COMBIMOUNTS PC are suitable for a wide variety of equipment. The COMBIMOUNT PC, is low in profile, compact in size and Ideal for mobile application due to added "Fail safe" feature. These mounts can be supplied with a height adjustment feature if required.



PART NO		LOAD (kg)	DEFLECTION (mm)
PC100	A	50	4
	B	70	
	C	100	
PC140	A	135	5
	B	200	
	C	300	
PC182	A	355	5
	B	530	
	C	800	
	D	1000	

ALL DIMENSIONS IN mm.



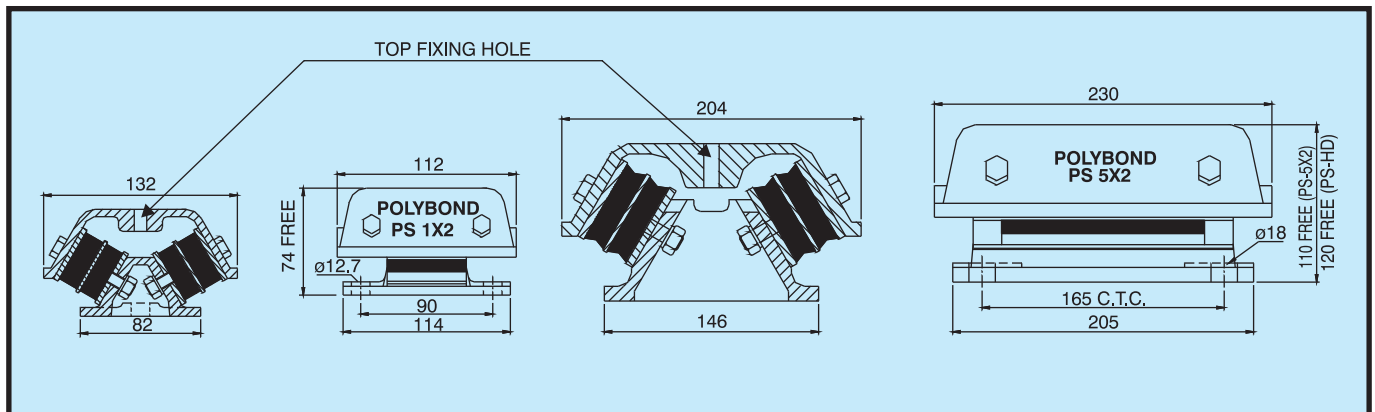
PART NO.	DIMENSIONS (mm)										
	A	B	C	D	E	F	G	H	I	J	K
PC140	140	178	20	76	30	13	6.5	49	13	M16	25
PC182	182	220	26	112	34	18	9.0	70	18	M20	28

When placing orders please specify "Type I" (Without height adjustment feature) or "Type II" (With height adjustment feature)

COMBI MOUNTS TYPE PS



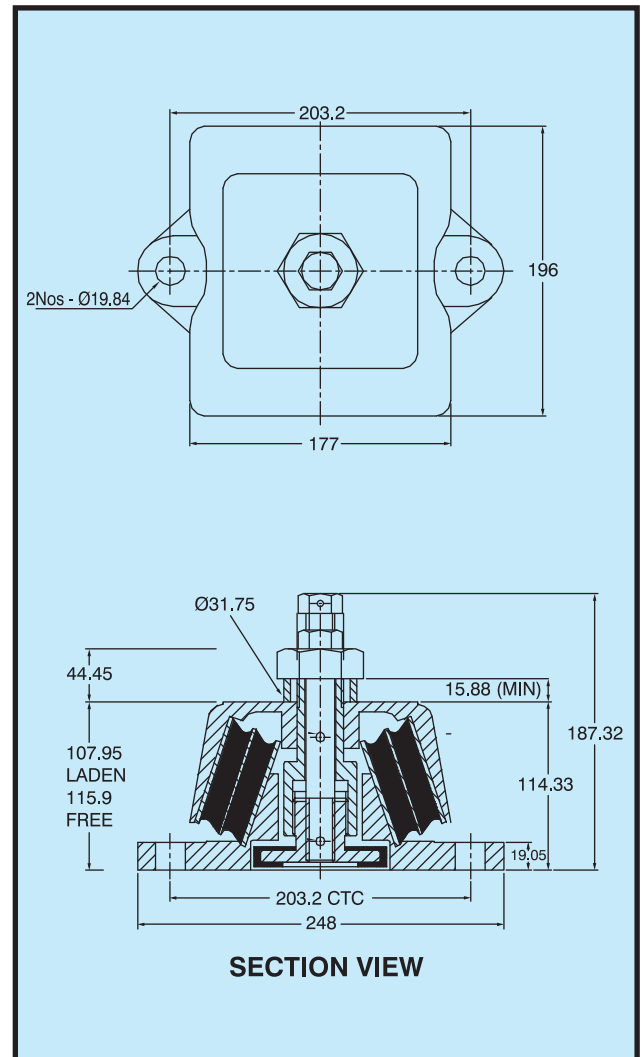
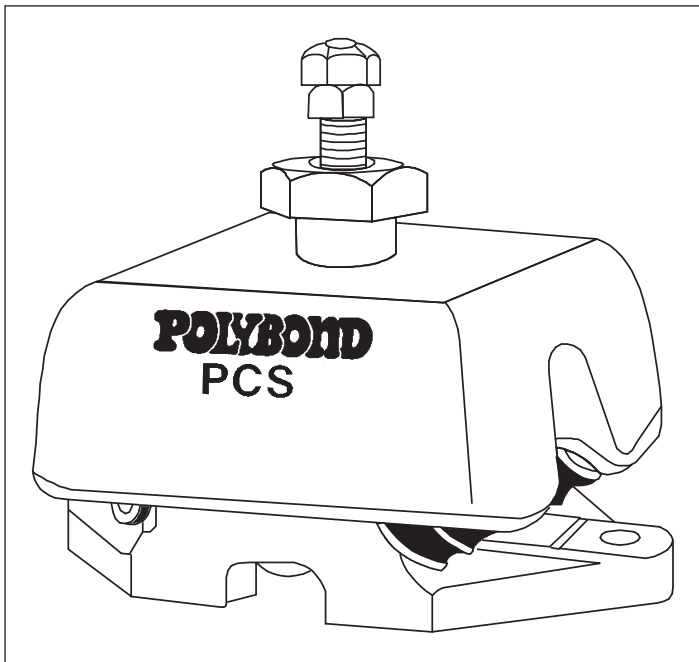
Polybond COMBIMOUNTS PS consist of two PS type sandwich mounts housed together in specially designed iron castings for protection against oil and mechanical damage. These are special mountings with natural frequencies down to 5.5 Hz and very good lateral stability. For low disturbing frequencies, high deflection can be achieved by screwing two COMBIMOUNTS PS together along the flange. When they cannot be bolted, these mounts can be located by rubber friction pads.



ALL DIMENSIONS IN mm.

PART NO	COLOUR CODE	MAX. LOAD CAPACITY (kg)	DEFLECTION (mm)	TOP FIXING HOLE	
				PLAIN	TAPPED
PS-1 X 2A	BLUE	77	5.6	10	M12
PS-1 X 2B	WHITE	118	5.8		
PS-1 X 2C	GREEN	153	6.1		
PS-1 X 2D	YELLOW	235	5.8		
PS-1 X 2E	RED	317	5.3		
PS-5 X 2A	BLUE	272	6.3	13	M 16
PS-5 X 2B	WHITE	544	5.6		
PS-5 X 2C	GREEN	850	5.6		
PS-5 X 2D	YELLOW	1040	5.6		
PS-5 X 2E	RED	1580	5.6		
PS-HD A	BLUE	630	16	13	M 16
PS-HD B	WHITE	990	16		
PS-HD C	GREEN	1280	16		

COMBI MOUNTS TYPE PCS



ALL DIMENSIONS IN mm.

The Polybond 'PCS' mounting is designed for the lightweight, four-cycle, and high speed, multi-cylinder engine

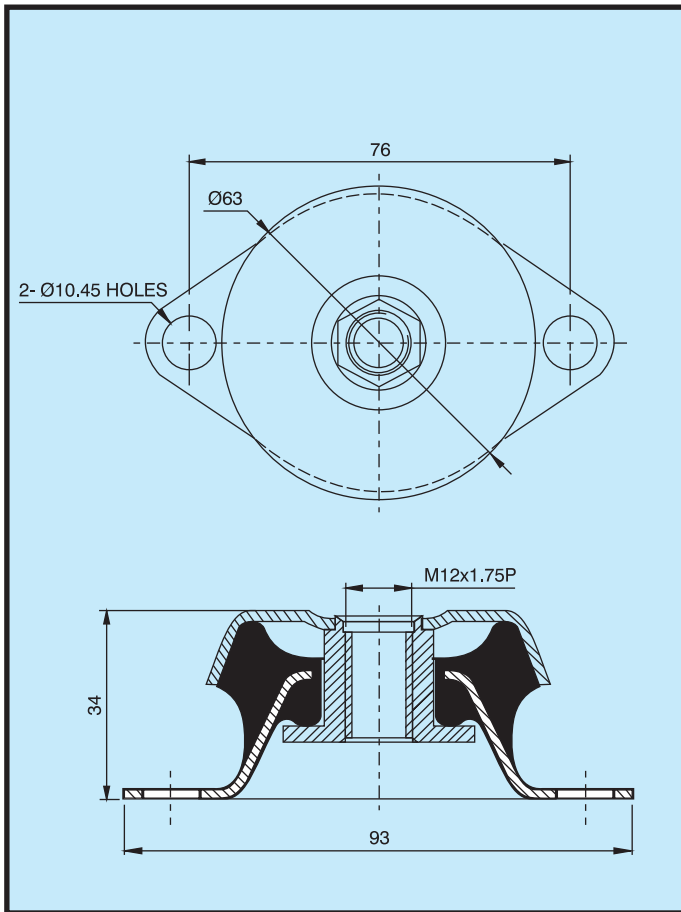
No more than 108mm in height when under load, the Polybond 'PCS' is a compact unit taking up little room in relation to its capacity. The maximum vertical deflection of 10.3 mm under the load of 1600 kgs provides sufficient flexibility to isolate vibrations from the various types of engines for which the mounting has been designed. Shunting shock loads up to 5 g can be accommodated.

The ratios in transverse, vertical and longitudinal stiffnesses are in the order of 1:3:17 and have been carefully selected to give best results.

It is advisable to obtain a detailed drawing before ordering.

LOAD RANGE	0.4 - 1.6 TONNES
VERTICAL DEFLECTION	6.35 - 10.31 mm

PAB MOUNTS



The fail safe design of this product allows the usage of these for both stationary as well as mobile applications. The horizontal stiffness is much higher than the vertical stiffness, hence these are used where there is a need to avoid the horizontal movement considerably (e.g. "floating of machine tools") Typically it is used for applications like motors, small generating sets, machine tools, eccentric presses, textile machines, woodworking machines, ventilation system etc.

PART NO.	MAX. LOAD (IN Kg)	DEFLECTION AT MAX. LOAD (in mm)
PAB-1A	70	4.0
PAB-1B	105	4.0
PAB-1C	130	4.0

ALL DIMENSIONS IN mm.



MACHINERY PAD

POLYBOND MACHINERY PADS can be used as a low-cost mounting material to eliminate vibrations, impact, shock and noise in machinery. These pads are available in a standard sizes and can be then cut to desired size using knife or scissors.

PART NO.	STANDARD SIZE
PMP 1	500 mm x 500 mm x 10 mm
PMP 2	450 mm x 450 mm x 7 mm